

# OWN THE WORKFACE™

Surround your workface with a perimeter of protection against windblown litter.



## Specifications:

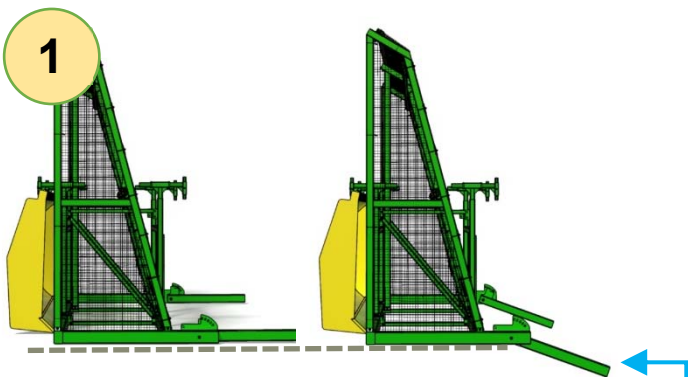
- ✓ 24 ft wide x 15 ft high x 8 ft deep
- ✓ Galvanized & Vinyl Coated Steel Mesh Completely Surrounds Sides and Back
- ✓ Multi-Configurable Lifting Brackets
- ✓ Weight: 3600 lbs
- ✓ Withstands winds of 65+ mph
- ✓ 3 Year Warranty

# WindARMOR™

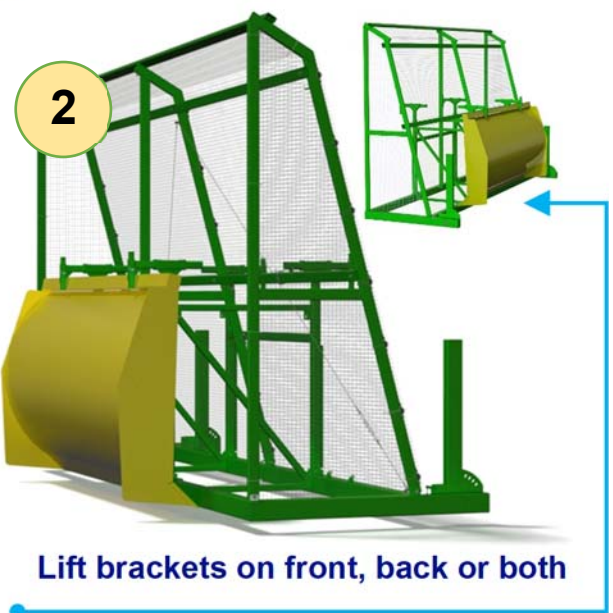
## PORTABLE LITTER FENCES

- Efficient litter collection reduces labor
- Pre-engineered kits packaged for quick set-up
- Durable construction for landfills





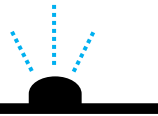
Outriggers at or below grade level



Lift brackets on front, back or both

Optional Odor Control System

*Factory engineered mounting system for bolt-on installation*



**WindARMOR™**  
PORTABLE LITTER FENCES

- 1** Adjustable outriggers can be positioned below grade for greater stability – even on slopes
- 2** Adjustable Lifting Brackets can be set to lift from front, back or both
- 3** No-Gap design minimizes litter leaks between adjoining fence sections

