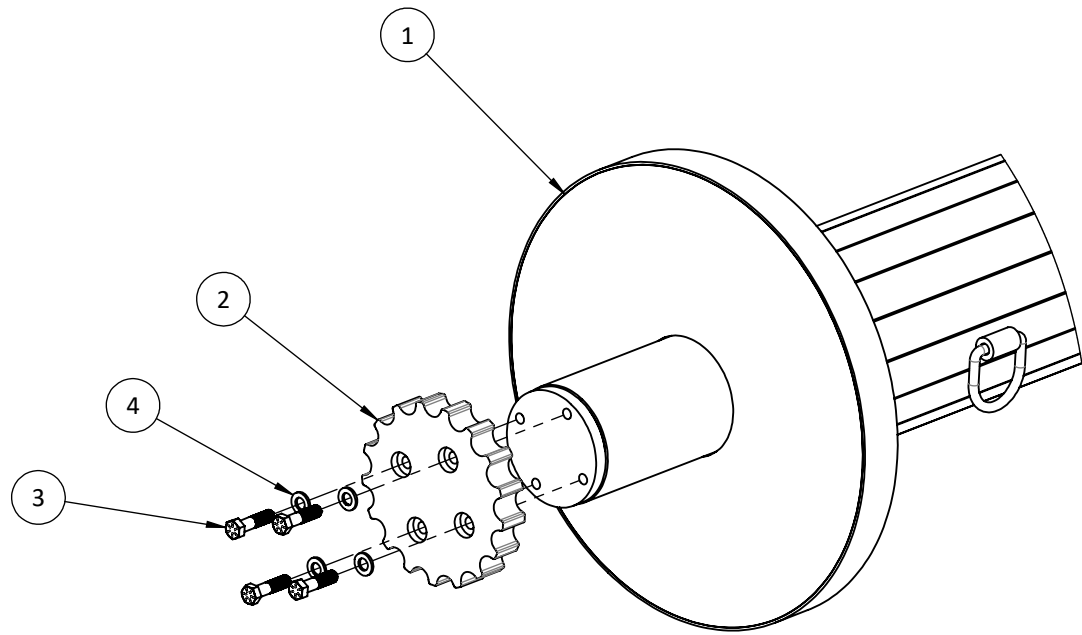
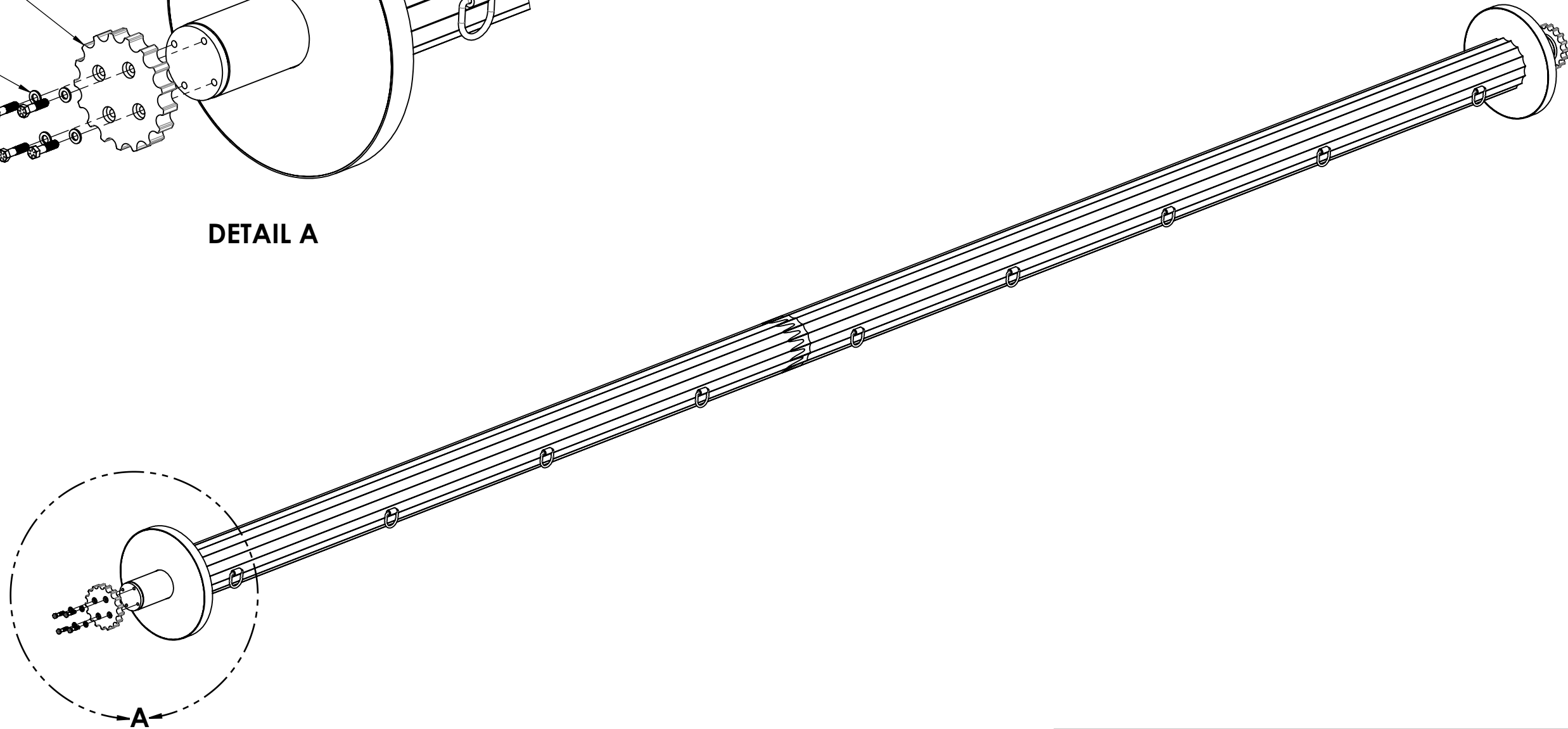


ITEM	PART NUMBER	DESCRIPTION	QTY
1	190195	TDSXS Spool - 40'	1
2	190020	Spool Drive Sprocket	2
3	BOLT3/4-16X3	3/4-16 x 3" Grade 5 Hex Head Bolt	8
4	WSHR-3/4	3/4" Zinc Washer	8



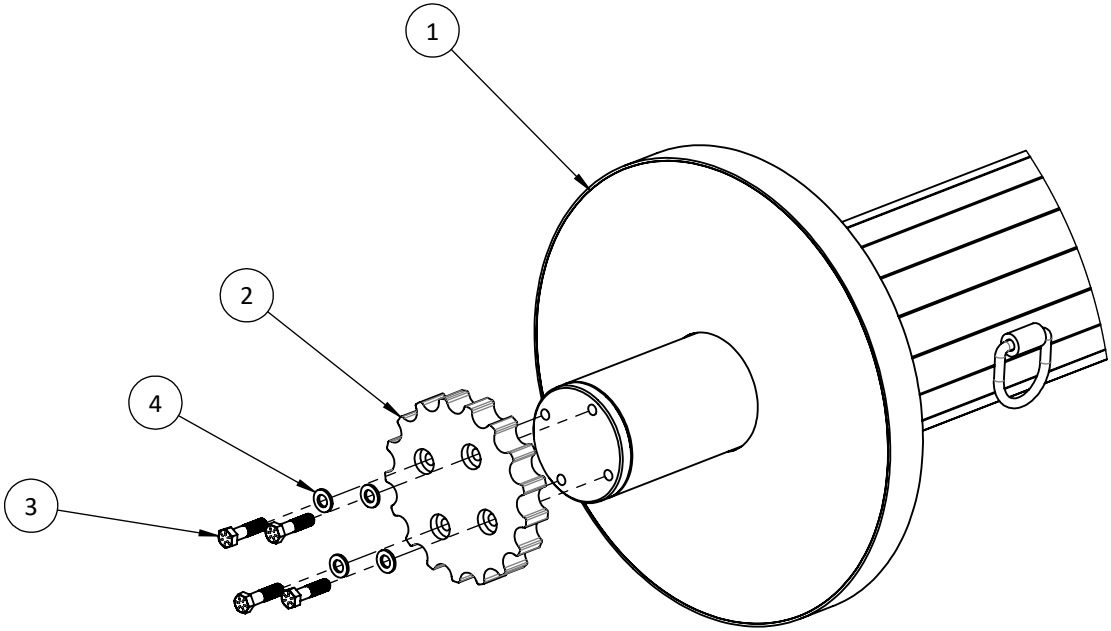
DETAIL A



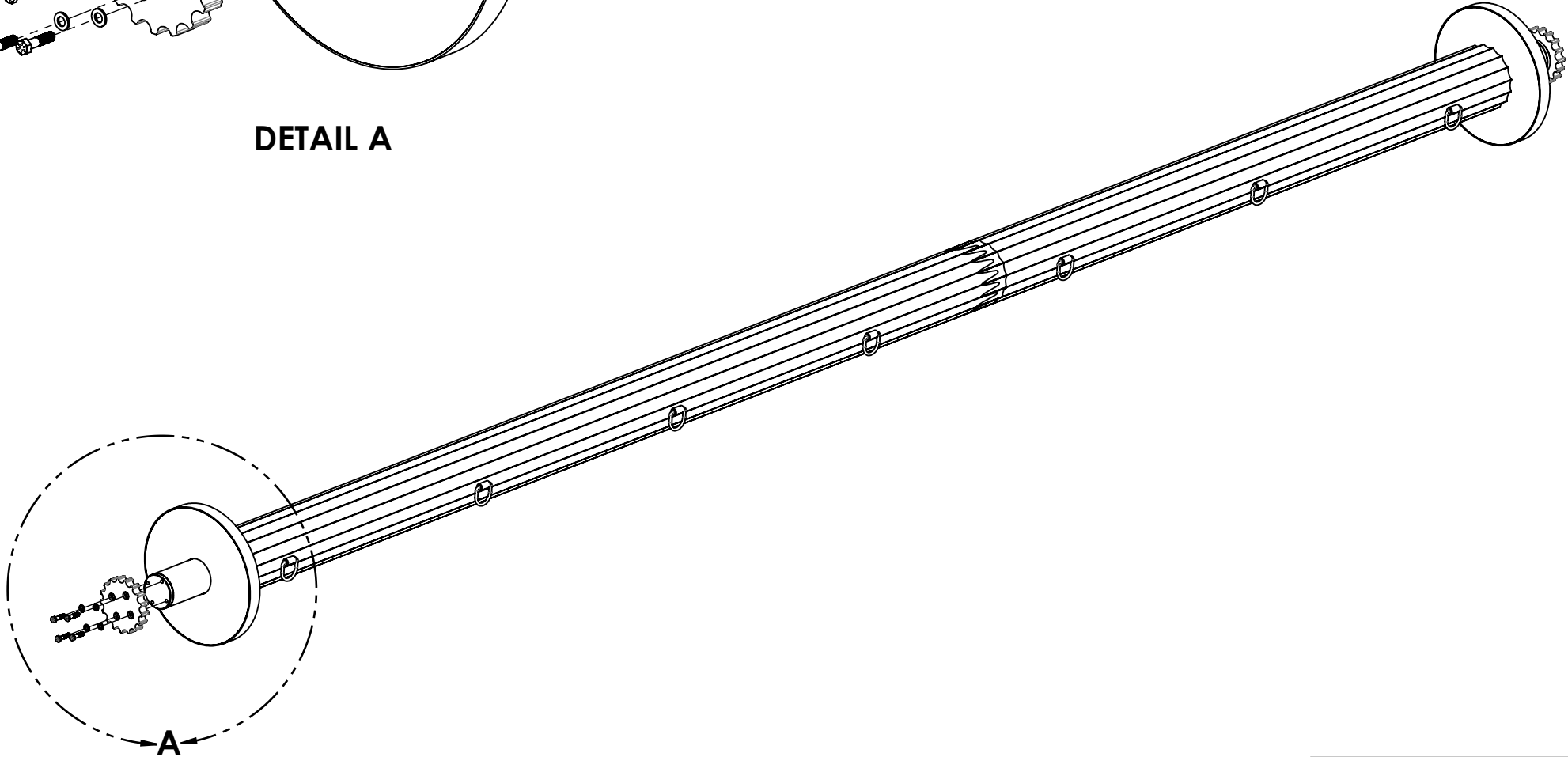
TITLE: Spool Assembly, 40 FT XS			
TOLERANCES Unless Otherwise Specified Fractional: $\pm 1/32$ Angular: $\pm 1^\circ$ One Place Decimal: ± 0.1 Two Place Decimal: ± 0.01 Three Place Decimal: ± 0.005		Proprietary and Confidential The information contained in this drawing is the sole property of Southwestern Sales Company. Any reproduction in part or as a whole without the written permission of Southwestern Sales is prohibited.	
FINISH Painted		MATERIAL As Noted	
Drawn By: A. Hughes		Eng. Approval: A. Hughes	
03/23/2020		03/23/2020	
DWG. NO. TDS40F262		REV	
Do Not Scale		WT: 1604.387	
Sheet 1 of 1			



ITEM	PART NUMBER	DESCRIPTION	QTY.
1	190194	TDSXS Spool - 30'	1
2	190020	Spool Drive Sprocket	2
3	BOLT3/4-16X3	3/4-16 x 3" Grade 5 Hex Head Bolt	8
4	WSHR-3/4	3/4" Zinc Washer	8



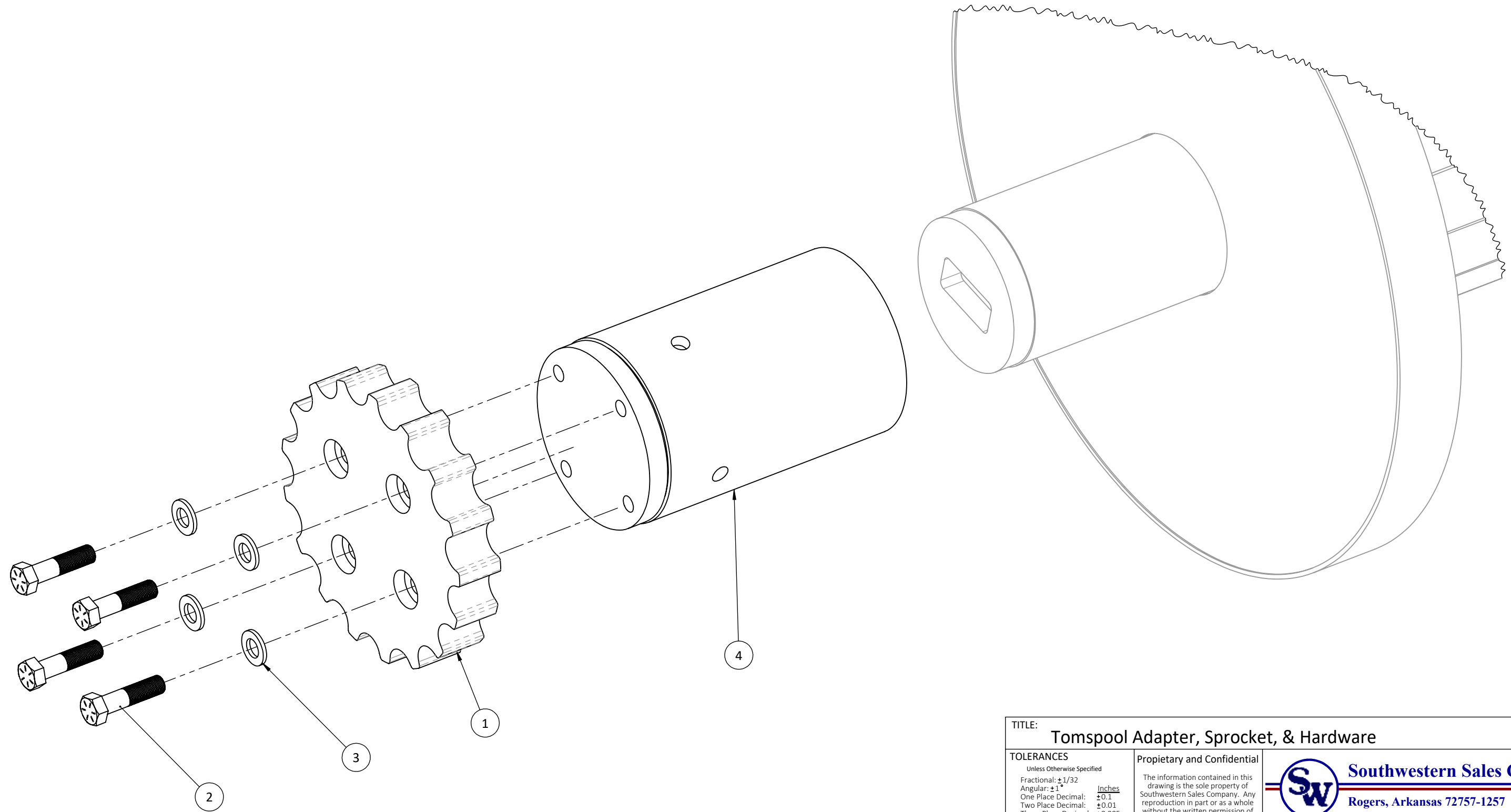
DETAIL A



TITLE: Spool Assembly, 30 FT XS			
TOLERANCES Unless Otherwise Specified Fractional: $\pm 1/32$ Angular: $\pm 1^\circ$ One Place Decimal: ± 0.1 Two Place Decimal: ± 0.01 Three Place Decimal: ± 0.005		Proprietary and Confidential The information contained in this drawing is the sole property of Southwestern Sales Company. Any reproduction in part or as a whole without the written permission of Southwestern Sales is prohibited.	
FINISH Painted		MATERIAL As Noted	
Drawn By: A. Hughes		Eng. Approval: A. Hughes	
03/23/2020		03/23/2020	
DWG. NO. TDS30F262		REV	
Do Not Scale		WT: 1272.227	
Sheet 1 of 1			

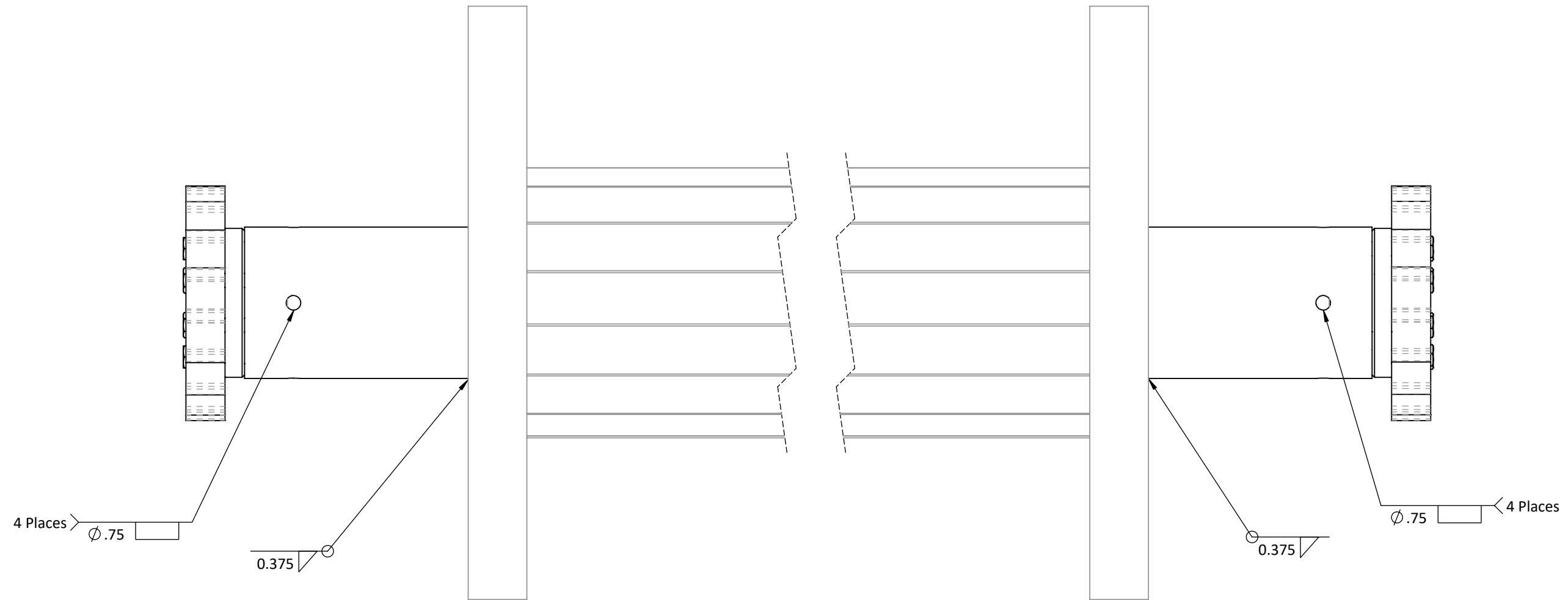


ITEM	PART NUMBER	DESCRIPTION	QTY.
1	190020	Spool Drive Sprocket	1
2	BOLT3/4-16X3	3/4-16 x 3" Grade 5 Hex Head Bolt	4
3	WSHR-3/4	3/4" Zinc Washer	4
4	200078	Spool Drive Shaft Adapter	1




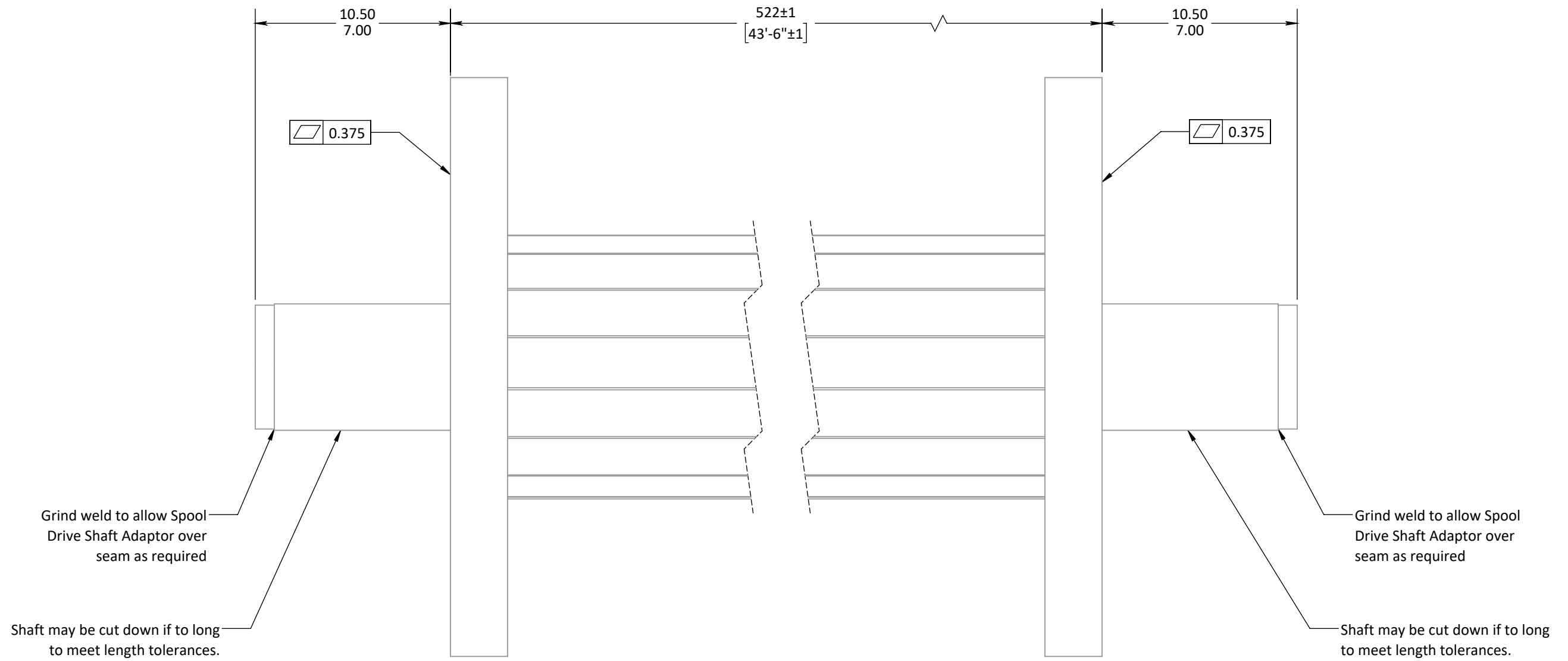
TITLE: Tomspool Adapter, Sprocket, & Hardware			
TOLERANCES Unless Otherwise Specified Fractional: $\pm 1/32$ Angular: $\pm 1^\circ$ One Place Decimal: ± 0.1 Two Place Decimal: ± 0.01 Three Place Decimal: ± 0.005		Proprietary and Confidential The information contained in this drawing is the sole property of Southwestern Sales Company. Any reproduction in part or as a whole without the written permission of Southwestern Sales is prohibited.	
FINISH Painted		MATERIAL As Noted	
Drawn By: A. Hughes		Eng. Approval: A. Hughes	
10/15/2020		10/15/2020	
Do Not Scale		WT: 64	
DWG. NO. TDS40F362		REV	
Sheet 1 of 3			






Installation on an Existing Pool

TITLE: Tomspool Adapter, Sprocket, & Hardware		
 Southwestern Sales Co. Rogers, Arkansas 72757-1257	DWG. NO. TDS40F362	REV
	Do Not Scale	SHEET 2 of 3



Existing Spool Dimensional Inspection

TITLE: Tomspool Adapter, Sprocket, & Hardware		
 Southwestern Sales Co. Rogers, Arkansas 72757-1257	DWG. NO. TDS40F362	REV
	Do Not Scale	SHEET 3 of 3