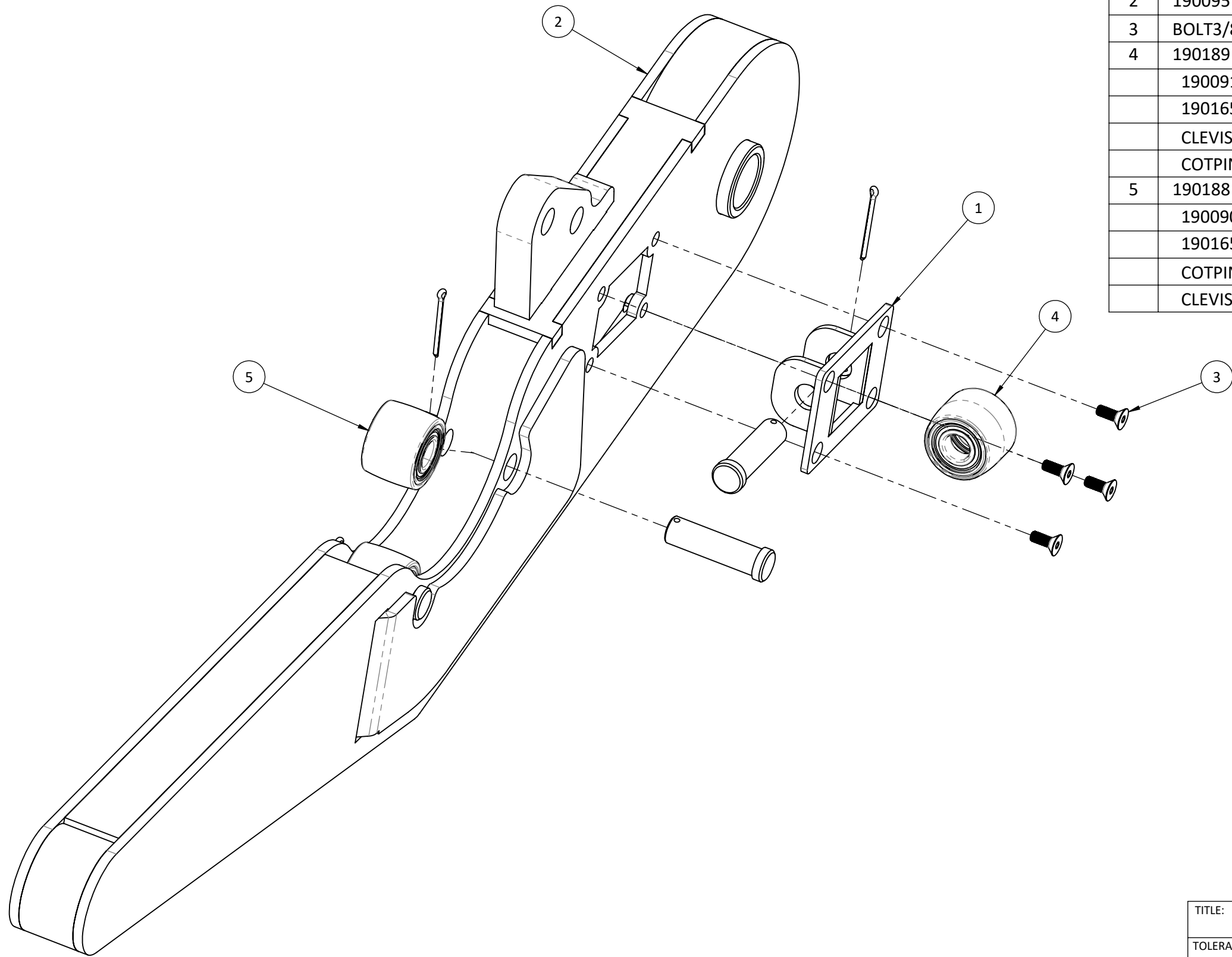


ITEM	PART NUMBER	DESCRIPTION	QTY.
1	190073	2" Arm Pin	1
2	200024	Assembled Load Arm - Right	1
3	200026	Assembled Clamp - Right	1
4	200035	3.25" X 3" Hp Cylinder; MP1 Clevis Mount	1
5	200036	Rod Clevis Assembly - 1"-14 Thread, 1" Pin	1
6	200037	Pivot Bracket - 1" Pin	1
7	200038	2" X 4" HP Cylinder; MP1 Clevis Mount	1
8	200039	Rod Clevis Ass. 3/4"-16 thd, 0.75 Pin	1
9	200040	Pivot Bracket 0.75" Pin	1
10	200101	MJ #8 - MORB #8 Fitting	2
11	200103	MJ #8 - MORB #12 Fitting	2
12	200183	MAORB-FORB-FORB (08-08-08) Fitting	2
13	200184	Air Bleed Valve (8-MAORB)	2
14	BOLT-1/2-13X2.5	1/2-13 x 2-1/2" HXHD Bolt	4
15	BOLT-3/8X1.75	3/8"-16 x 1.75" Bolt	2
16	TD-5/8NYLOCKNUT	5/8" Nylock Nut	4
17	TD-5/8WASHER	5/8" x 1.75" Flat Washer	4
18	TDS1/2NYLOCK	1/2" Nylock Nut	4
19	TDS3/8-WASHER	3/8 Zinc Flat Washer	4
20	TDS3/8NYLOCK	3/8" Nylock Nut	2
21	TDS5/8X2.5BOLT	5/8"-11 X 2 1/2" HCS Bolt	4
22	WSHR-1/2X1-3/8	Washer, Flat, 1/2" ID, 1-3/8"	4

REV.	DESCRIPTION	DATE	APPROVED
A	Changed bolts / nuts for 3.25" Cylinder to 5/8" (Items 16, 17, 21)	10/26/2020	A. Hughes

TITLE: TDSXS Arm Assembly - Right			
<b>TOLERANCES</b> Unless Otherwise Specified Fractional: $\pm 1/32$ Angular: $\pm 1^\circ$ One Place Decimal: $\pm 0.1$ Two Place Decimal: $\pm 0.01$ Three Place Decimal: $\pm 0.005$		Proprietary and Confidential The information contained in this drawing is the sole property of Southwestern Sales Company. Any reproduction in part or as a whole without the written permission of Southwestern Sales is prohibited.	
<b>FINISH</b> Various		<b>MATERIAL</b> As Noted	
Drawn By: A. Hughes		Eng. Approval: A. Hughes	
6/23/2020		6/23/2020	
DWG. NO. <b>TDSXS-MA-R</b>		REV <b>A</b>	
Do Not Scale		WT: n/a	
Sheet 1 of 1			

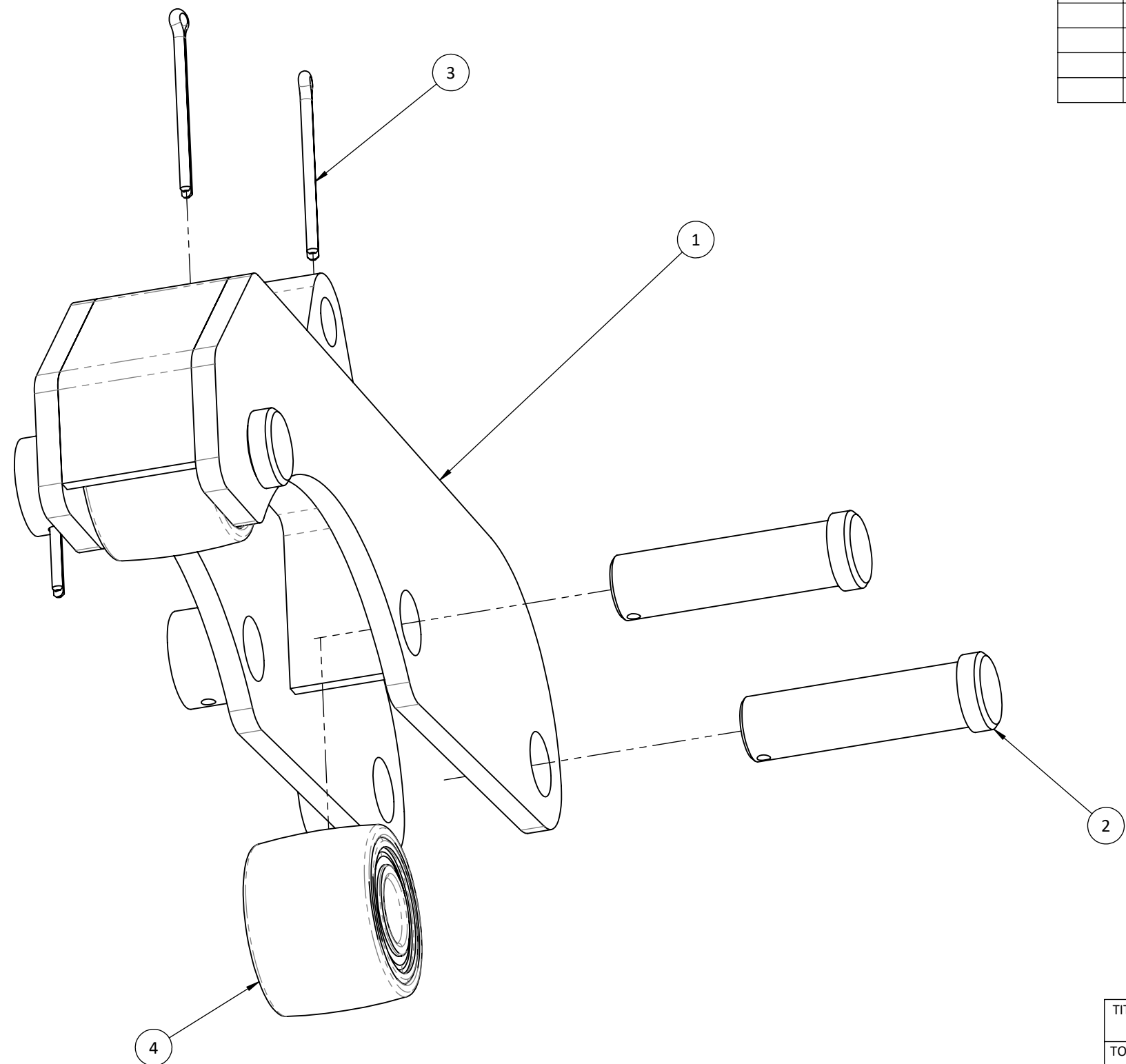




ITEM	PART NUMBER	DESCRIPTION	QTY.
1	190083	Guide Wheel Bracket	1
2	190095	Spool Support Arm Weldment - Right	1
3	BOLT3/8-16X1FH	3/8-16 X 1" Flat Head Hex Screw, Patched	4
4	190189	Guide Wheel Assembly	1
	190091	Spool Guide Wheel	1
	190165	RLS08-2RS Bearing	2
	CLEVIS-1X3.5	1" x 3.5" Clevis Pin	1
	COTPIN-3/16x2-1/2	3/16" x 2 1/2" Cotter Pin	1
5	190188	Support Wheel Assembly	2
	190090	Spool Support Wheel	1
	190165	RLS08-2RS Bearing	2
	COTPIN-3/16x2-1/2	3/16" x 2 1/2" Cotter Pin	1
	CLEVIS-1X3.5	1" x 3.5" Clevis Pin	1

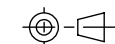
TITLE: <b>Assembled Load Arm - Right</b>			
<b>TOLERANCES</b> Unless Otherwise Specified Fractional: $\pm 1/32$ Angular: $\pm 1^\circ$ One Place Decimal: $\pm 0.1$ Two Place Decimal: $\pm 0.01$ Three Place Decimal: $\pm 0.005$		Proprietary and Confidential The information contained in this drawing is the sole property of Southwestern Sales Company. Any reproduction in part or as a whole without the written permission of Southwestern Sales is prohibited.	
<b>FINISH</b> Unfinished		<b>MATERIAL</b> As Noted	
Drawn By: A. Hughes		Eng. Approval: _____	
DWG. NO. <b>200024</b>		REV _____	
Do Not Scale		WT: 134.513	
		Sheet 1 of 1	



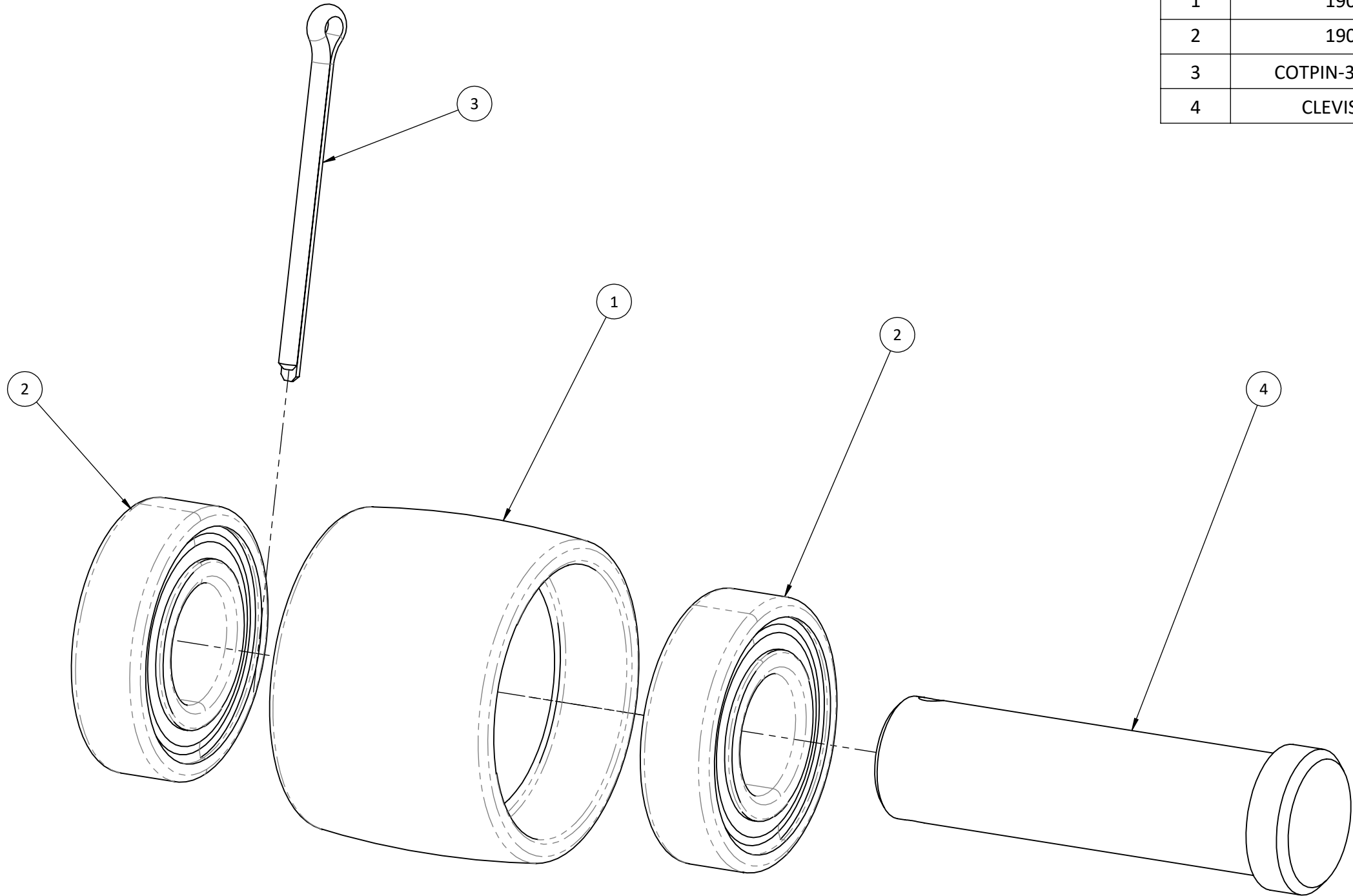



ITEM	PART NUMBER	DESCRIPTION	QTY.
1	190074	Spool Upper Arm - Left	1
2	CLEVIS-1X3.5	1" x 3.5" Clevis Pin	1
3	COTPIN-3/16x2-1/2	3/16" x 2 1/2" Cotter Pin	1
4	190188	Support Wheel Assembly	2
	190090	Spool Support Wheel	1
	190165	RLS08-2RS Bearing	2
	COTPIN-3/16x2-1/2	3/16" x 2 1/2" Cotter Pin	1
	CLEVIS-1X3.5	1" x 3.5" Clevis Pin	1

TITLE: <b>Assembled Clamp - Right</b>			
<b>TOLERANCES</b> Unless Otherwise Specified Fractional: $\pm 1/32$ Angular: $\pm 1^\circ$ One Place Decimal: $\pm 0.1$ Two Place Decimal: $\pm 0.01$ Three Place Decimal: $\pm 0.005$		Proprietary and Confidential The information contained in this drawing is the sole property of Southwestern Sales Company. Any reproduction in part or as a whole without the written permission of Southwestern Sales is prohibited.	
<b>FINISH</b> Painted		<b>MATERIAL</b> As Noted	
Drawn By: A. Hughes		Eng. Approval: A. Hughes	
9/23/19		3/20/20	
DWG. NO. <b>200026</b>		REV	
Do Not Scale		WT: 22.298	
Sheet 1 of 1			



7	PART NUMBER	DESCRIPTION	QTY.
1	190090	Spool Support Wheel	1
2	190165	RLS08-2RS Bearing	2
3	COTPIN-3/16x2-1/2	3/16" x 2 1/2" Cotter Pin	1
4	CLEVIS-1X3.5	1" x 3.5" Clevis Pin	1

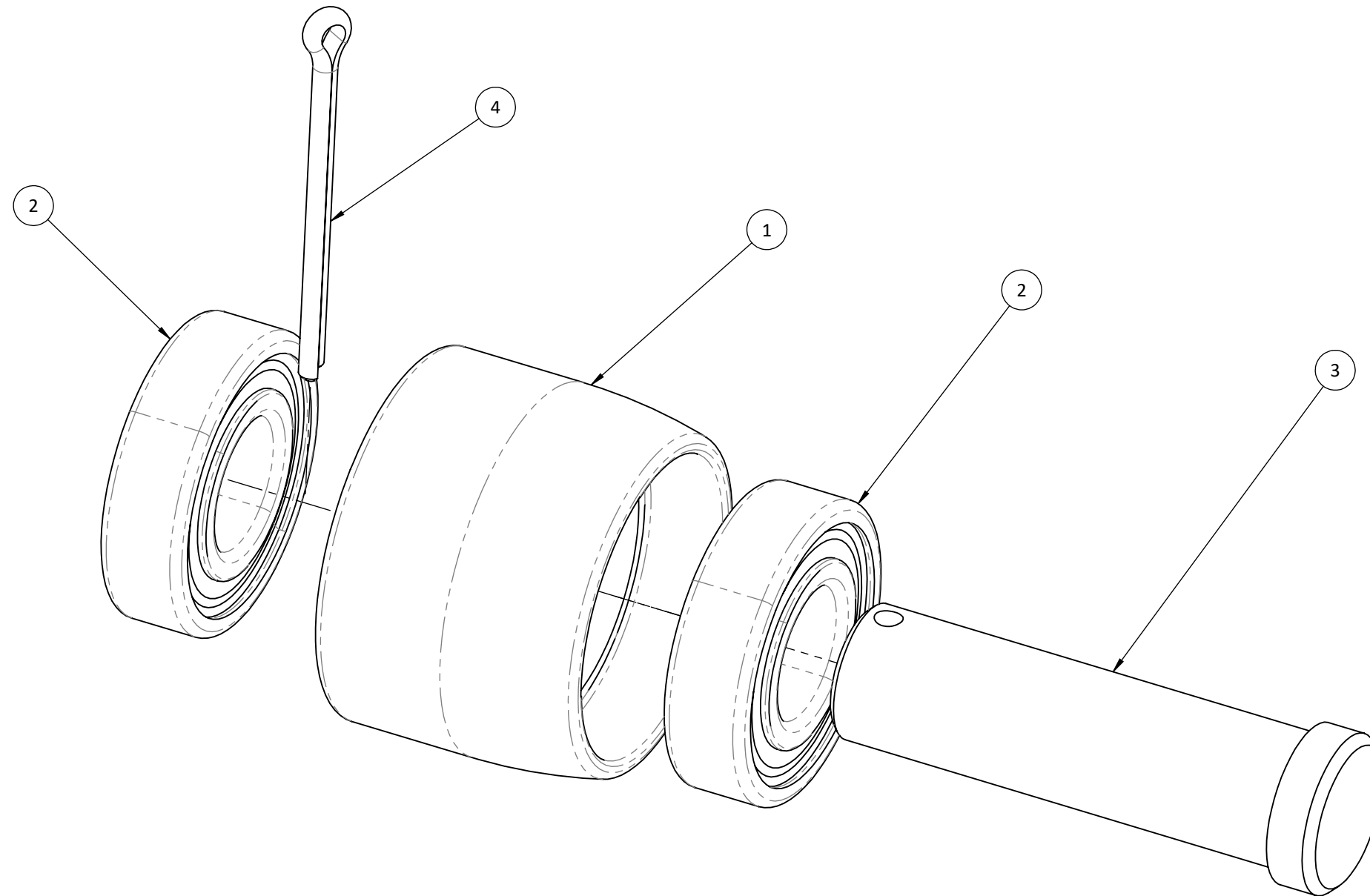


TITLE: <b>Support Wheel Assembly</b>		 <b>Southwestern Sales Co.</b> Rogers, Arkansas 72757-1257	
TOLERANCES <small>Unless Otherwise Specified</small> Fractional: ±1/32 Angular: ±1° One Place Decimal: ±0.1 Two Place Decimal: ±0.01 Three Place Decimal: ±0.005			
FINISH Unfinished		MATERIAL As Noted	
Drawn By: A. Hughes		Eng. Approval:	
11/14/2019		DWG. NO. <b>190188</b>	
		Do Not Scale    WT: 2.856    Sheet 1 of 1	

REV.	DESCRIPTION	DATE	APPROVED



ITEM	PART NUMBER	DESCRIPTION	QTY.
1	190091	Spool Guide Wheel	1
2	190165	RLS08-2RS Bearing	2
3	CLEVIS-1X3.5	1" x 3.5" Clevis Pin	1
4	COTPIN-3/16x2-1/2	3/16" x 2 1/2" Cotter Pin	1



TITLE: Guide Wheel Assembly			
<b>TOLERANCES</b> Unless Otherwise Specified Fractional: $\pm 1/32$ Angular: $\pm 1^\circ$ One Place Decimal: $\pm 0.1$ Two Place Decimal: $\pm 0.01$ Three Place Decimal: $\pm 0.005$		Proprietary and Confidential The information contained in this drawing is the sole property of Southwestern Sales Company. Any reproduction in part or as a whole without the written permission of Southwestern Sales is prohibited.	
<b>FINISH</b> Unfinished		<b>MATERIAL</b> As Noted	
Drawn By: A. Hughes		Eng. Approval:	
DWG. NO. <b>190189</b>		REV	
Do Not Scale		WT: 2.856	
Sheet 1 of 1			

REV.	DESCRIPTION	DATE	APPROVED

