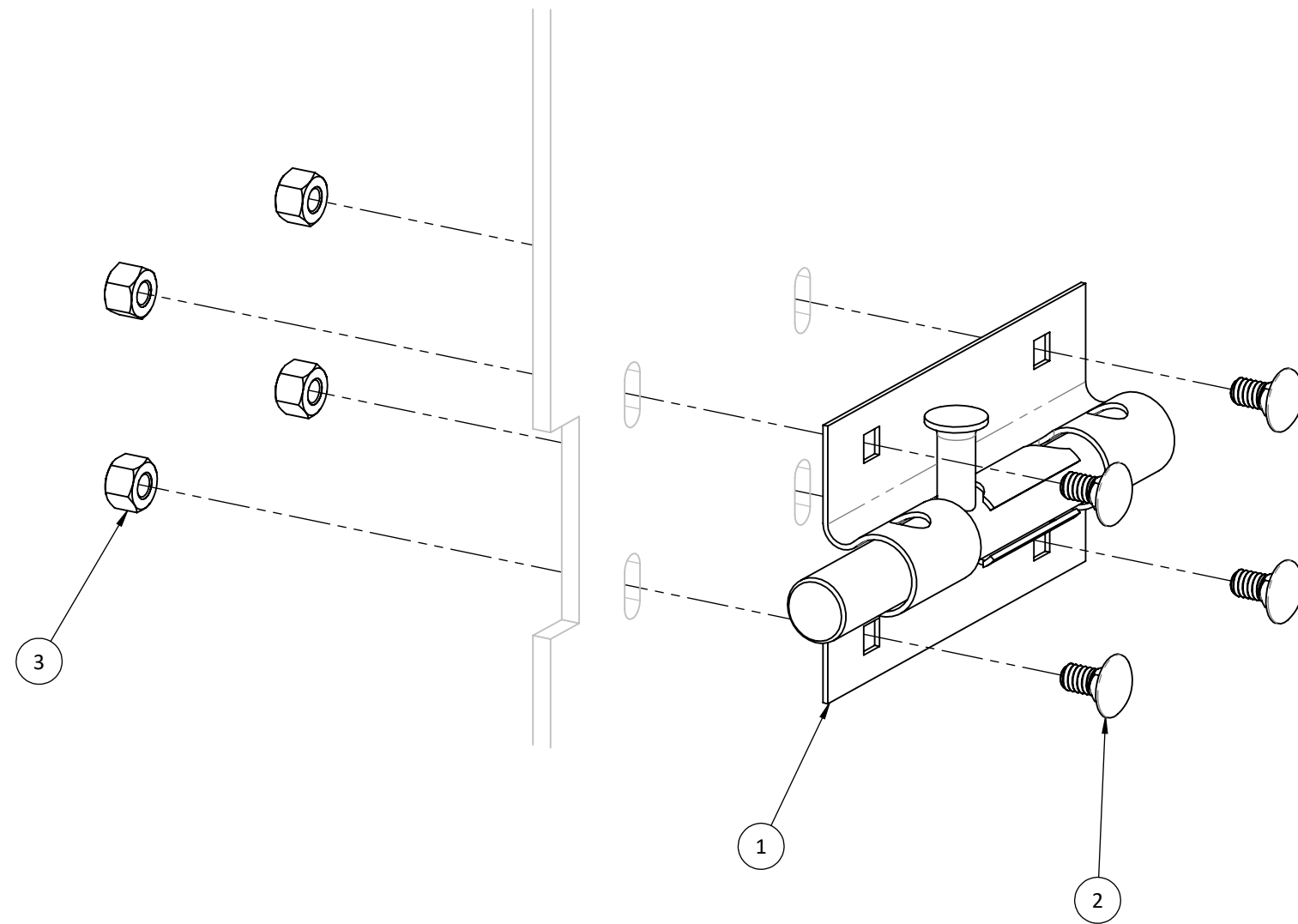


ITEM	PART NUMBER	DESCRIPTION	QTY.
1	D/SLIDE-BOLT	Slide Bolt	1
2	BOLT-1/4X1/2-CB	1/4-20 X 0.5" Carriage Bolt	4
3	TDS1/4-NYLOCK	1/4"-20 NYLOCK NUT	4



TITLE: <b>Slide Bolt Assembly</b>			
<b>TOLERANCES</b> Unless Otherwise Specified Fractional: $\pm 1/32$ Angular: $\pm 1^\circ$ One Place Decimal: $\pm 0.1$ Two Place Decimal: $\pm 0.01$ Three Place Decimal: $\pm 0.005$		<b>Proprietary and Confidential</b> The information contained in this drawing is the sole property of Southwestern Sales Company. Any reproduction in part or as a whole without the written permission of Southwestern Sales is prohibited.	
<b>FINISH</b> Unfinished		<b>MATERIAL</b> As Noted	
Drawn By: A. Hughes		Eng. Approval: A. Hughes	
11/24/2020		11/24/2020	
DWG. NO. <b>200175</b>		REV	
Do Not Scale		WT: 0.73	
Sheet 1 of 1			

